

KBL12260W 12V 260W

The KAISE LONG LIFE Series 10 years has been designed for different applications, such as UPS, Electric and Telecommunications applications that require a long useful life. Grid refining technology and the thicker plates are used to extend the battery standby life and reduce the plate grid corrosion speed



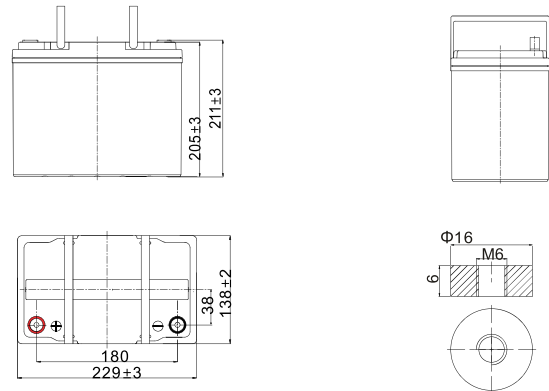
Performance Characteristics

Nominal Voltage	12V	
Dimensions	Length (mm / inch)	229±2 / 9.02
	Width (mm / inch)	138 ± 12 / 5.43
	Height (mm / inch)	205± 3 / 8.07
	Total Height (mm / inch)	2110± 1/ 8.31
Approx. Weight	(Kg / lbs)	16.2 / 35.7
Design Life	10 -12 years (20°C)	
Terminal	M6	
Container Material	ABS	
Rated Capacity	55.0Ah / 5.50A	(10hr, 1.80V / cell, 25°C / 77°F)
	52.8 Ah / 6.60A	(8hr,1.80V / cell, 25°C / 77°F)
	48.2 Ah / 9.63 A	(5hr, 1.75V / cell, 25°C / 77°F)
	35.2Ah / 35.2A	(1hr, 1.67V / cell, 25°C / 77°F)
Max. Discharge Current	660 (5s)	
Internal Resistance	Approx 9.0 Ω	
Operating Temp.Range	Discharge : -20 ~ 55°C (-4 ~ 131°F)	
	Charge : -20 ~ 40°C (32 ~ 104°F)	
	Storage : -15 ~ 40°C (5 ~ 104°F)	
Nominal Operating Temp. Range	25 ± 3°C (77 ± 5°F)	
Cycle Use	Initial Charging Current less than 11.4A.	
	Voltage: 14.4V-15.0V at 25°C (77°F) Temp. Coefficient: -30mV/°C	
Standby Use	Initial Charging Current less than 11.4	
	Current Voltage. 13.5V-13.8V at 25°C (77°F) Temp. Coefficient: -20mV/°C	
Capacity affected by Temperature	40°C (104°F)	103%
	25°C (77°F)	100%
	0°C (32°F)	86%
Self Discharge	Fully charged Kaise Long Life Series batteries may be stored for up to 3 months at 25°C (77°F) and then a freshening charge is required. For higher temperatures the time interval will be shorter.	

Constant Current Discharge (Amperes) at 77°F (25°C)

Volts/cell	10min	15min	30min	1h	3h	5h	8h	10h
1.80V	133.4	82.8	52.0	32.1	14.2	9.41	3.80	5.50
1.75V	145.6	87.5	54.3	33.3	14.6	9.63	3.84	5.59
1.70V	157.7	92.5	56.7	34.5	15.0	9.84	3.88	5.67
1.67V	164.7	95.4	58.1	35.2	15.2	10.0	3.93	5.72
1.60V	181.5	102.3	61.4	36.9	15.8	10.3	3.97	5.84

Dimensions and Terminal (units: mm)



Applications

- UPS and EPS
- Emergency light
- Railway signal and aircraft signal system
- Marine and power stations
- Alarm and security system
- Electronic apparatus and equipment
- Communication power supply, DC power supply

Certifications

ISO 9001
ISO 14001

CE UL IEC

Discharge Current vs. Discharge Voltage

Final discharge voltage V/CELL	1.8	1.75	1.7	1.6
Discharge current (A)	I ≤ 0.1CA	0.25CA ≥ I > 0.1CA	0.55CA ≥ I > 0.25CA	I > 0.55CA

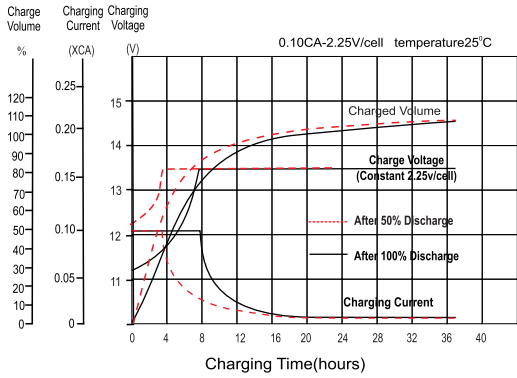
Constant Power Discharge (Watts per cell) at 77°F (25°C)

Volts/cell	10min	15min	30min	1h	3h	5h	8h	20h
1.80V	200.1	165.2	104.6	61.9	27.7	18.5	13.0	10.9
1.75V	211.9	172.9	108.4	63.8	28.3	18.8	13.2	11.0
1.70V	223.1	180.7	112.1	65.6	29.0	19.2	13.4	11.0
1.67V	229.5	185.0	114.4	66.7	29.4	19.4	13.6	11.3
1.60V	243.2	195.0	119.3	69.3	30.3	19.9	13.8	11.5

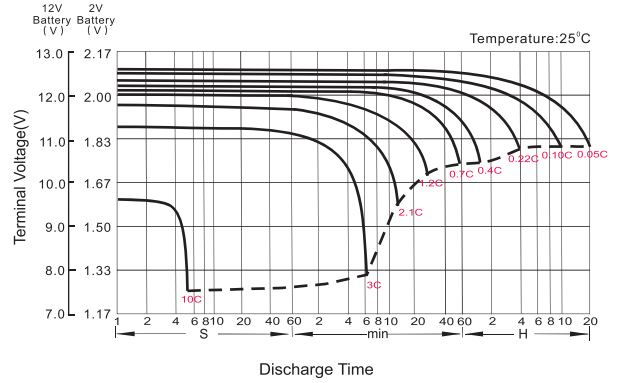
(Note) The above characteristics data are average values obtained within three charge/discharge cycles not the minimum values.

KBL12260W 12V 260W

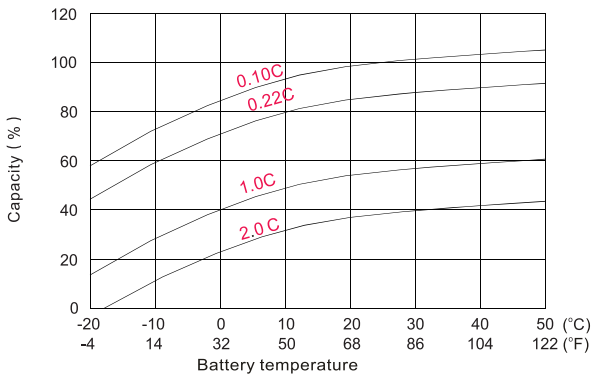
Charging Characteristics (float use)



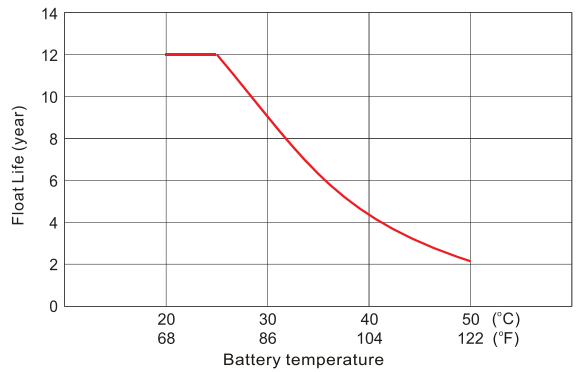
Discharge Characteristics



Temperature Effects in Relation to Battery Capacity



Effect of Temperature on Long Term Float Life



IMPORTANT NOTE: The specifications presented herein are subject to revision without notice.